

MAS ALIF

12-inch ALIF retractor overview

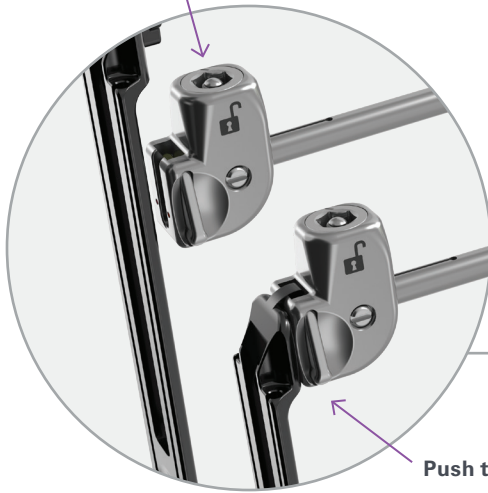
NuVasive offers an innovative 12-inch retractor solution for ALIF access. The system features a dual-arm, table mounted, carbon fiber frame and full suite of aluminum blades. This design provides both rigidity and radiolucency during ALIF procedures.

Blade-to-handle connection

Seamless locking and unlocking design for quick blade swapping intraoperatively

Audible and tactile feedback for a secure connection

Slide in to lock



Push to unlock

Blade options

Multiple blade options available to meet different anatomical needs

The blades also feature tracks allowing for the seamless integration of fixation pins or the NuVasive light cables



18 mm, narrow

25 mm, standard

50 mm, wide





Handle options

Adjustable handles allow for blades to “toe in and out”

A tightening tool is used for locking and unlocking the handle and blade in the desired orientation

Flexible ball joint

Ball joint grants freedom of movement to match surgical needs

Rotating the gold lever on top of the carriage locks carriage and retractor arm firmly into place



Carriage and blade attachment

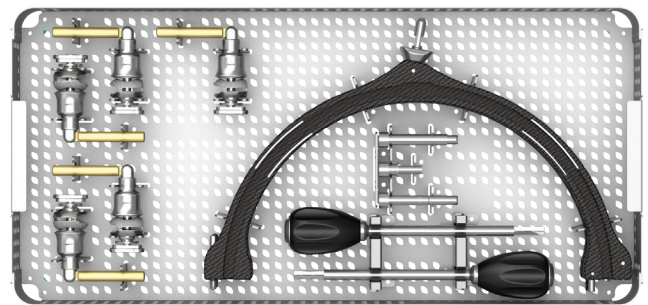
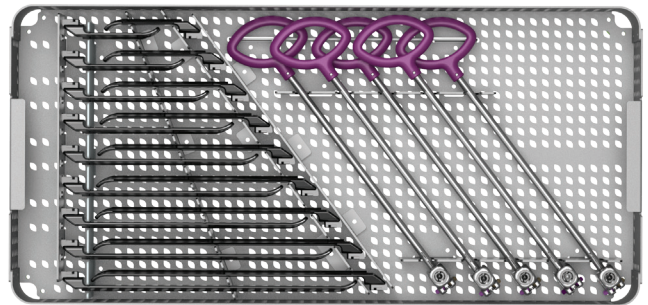
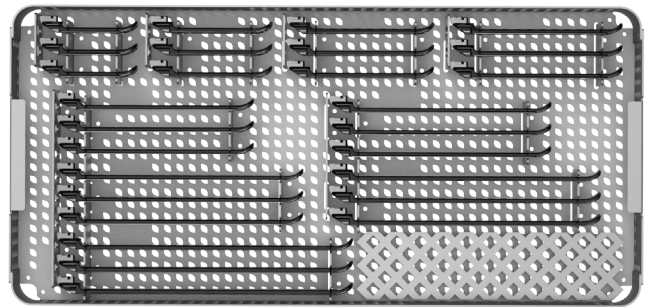
Click and lock blade handles into the carriage

- Versatile ball joint allows up to 30° of angulation up or down

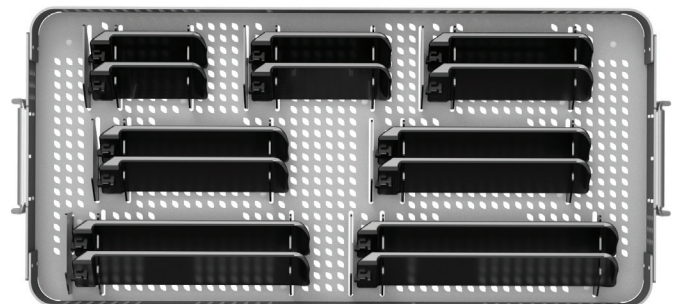
Can be locked in on either side of the carriage

Supine ALIF access system catalog

Part no.	Description	Qty.
8801300	NuVasive generic tray lid	1
6973361	ALIF retractor blade extension adj lrg	3
6973368	ALIF retractor blade extension adj short	2
1011812	Universal light cable adapter, Olympus	1
6973363	ALIF access retractor carriage	5
6973366	ALIF access retractor frame, 12-inch half	2
1011812	Universal light cable adapter, Olympus	1
1011811	Universal light cable adapter, Storz	1
1011810	Universal light cable adapter, ACMI	1
6973392	ALIF Supine top, tray	1
6973364	ALIF access retractor tightening tool	2
6973301	ALIF blade, 60 mm, standard	3
6973302	ALIF blade, 80 mm, standard	3
6973303	ALIF blade, 100 mm, standard	3
6973304	ALIF blade, 120 mm, standard	3
6973305	ALIF blade, 140 mm, standard	3
6973306	ALIF blade, 160 mm, standard	3
6973307	ALIF blade, 180 mm, standard	3
6973308	ALIF blade, 200 mm, standard	3
6973309	ALIF blade, 220 mm, standard	3
6973321	ALIF blade, 60 mm, narrow	2
6973322	ALIF blade, 80 mm, narrow	2
6973323	ALIF blade, 100 mm, narrow	2
6973324	ALIF blade, 120 mm, narrow	2
6973325	ALIF blade, 140 mm, narrow	2
6973326	ALIF blade, 160 mm, narrow	2
6973325	ALIF blade, 140 mm, narrow	2
6973327	ALIF blade, 180 mm, narrow	2
6973328	ALIF blade, 200 mm, narrow	2
6973329	ALIF blade, 220 mm, narrow	2
6973393	ALIF Supine middle, tray	1
6973395	ALIF Supine nipple mat	1
697339	ALIF Supine bottom, tray	2
6973391	ALIF Supine base, case	1
9004421	Universal instrument IFU	2
6973351	ALIF blade, 50 mm wide, 80 mm long	2
6973352	ALIF blade, 50 mm wide, 100 mm long	2
6973353	ALIF blade, 50 mm wide, 120 mm long	2
6973354	ALIF blade, 50 mm wide, 140 mm, long	2
6973355	ALIF blade, 50 mm wide, 160 mm, long	2
6973356	ALIF blade, 50 mm wide, 180 mm, long	2
6973357	ALIF blade, 50 mm wide, 200 mm, long	2
6973311	ALIF access wide blades base, case	1



MAS ALIF access



ALIF blades, wide

NuVasive, Inc.

7475 Lusk Blvd., San Diego, CA 92121 USA
+1 800.475.9131

EC REP NuVasive Netherlands B.V.

Jachthavenweg 109A, 1081 KM Amsterdam, The Netherlands
+31 20 72 33 000

For important product information, please visit [nuvasive.com/elfu](https://www.nuvasive.com/elfu)

©2022. NuVasive, Inc. All rights reserved. MAS is a registered trademark of NuVasive, Inc. in the United States, and may be registered in other countries. 9501728 B



[nuvasive.com](https://www.nuvasive.com)

